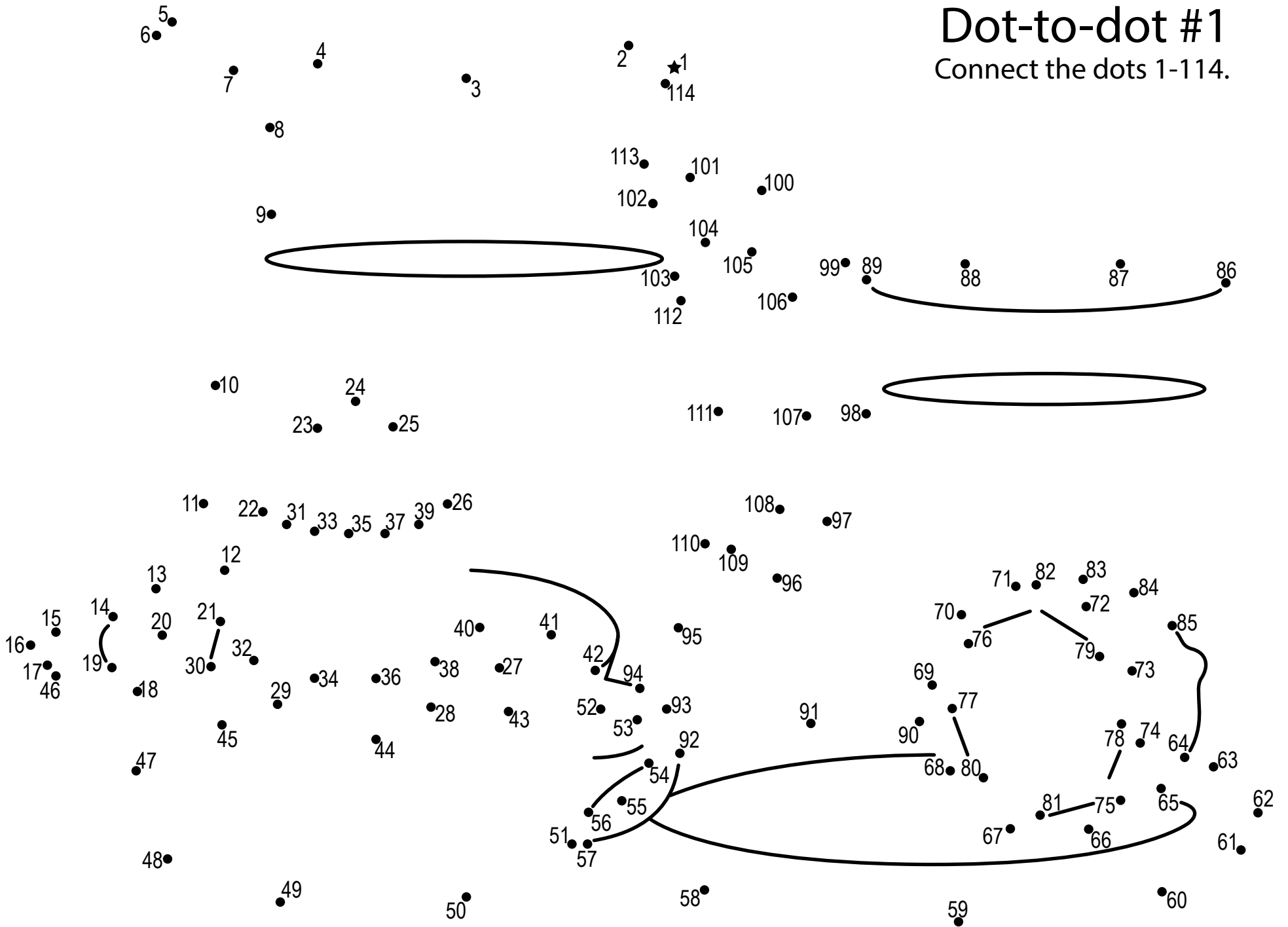


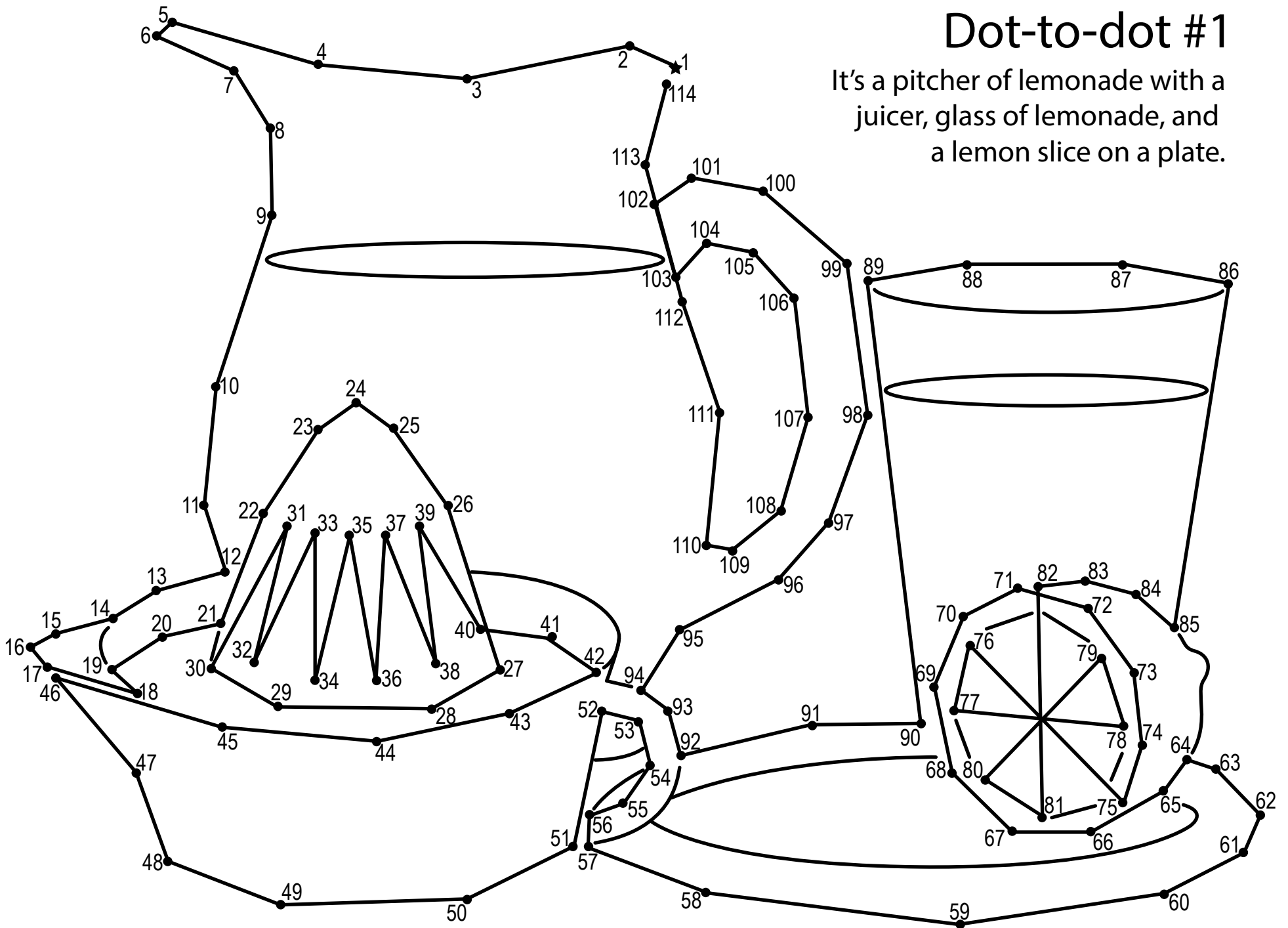
Dot-to-dot #1

Connect the dots 1-114.



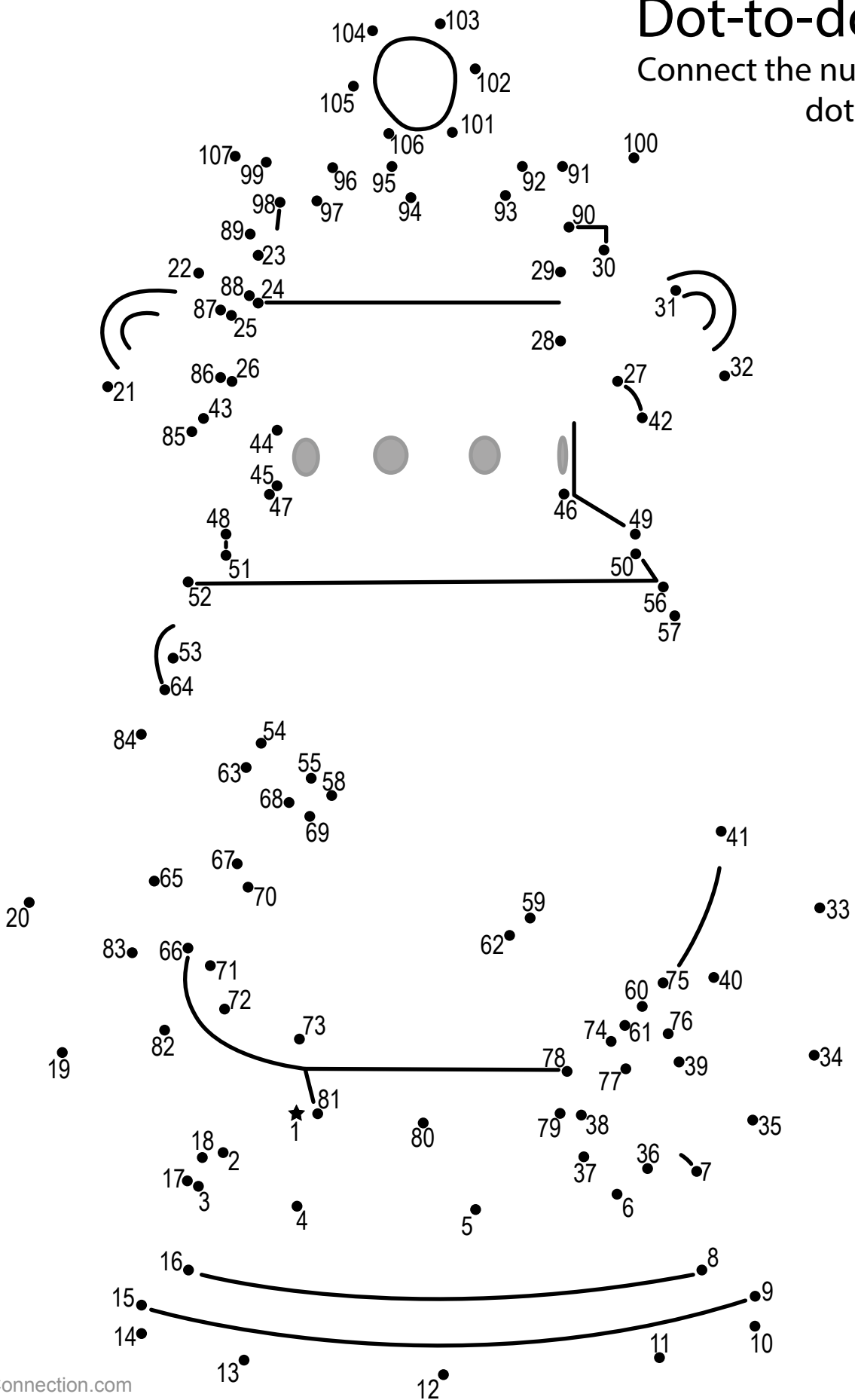
Dot-to-dot #1

It's a pitcher of lemonade with a juicer, glass of lemonade, and a lemon slice on a plate.



Dot-to-dot #2

Connect the numbered dots 1-107.



Dot-to-dot #2

It's a lantern.

